

backseat/BARRIER™ Installation and care



Become a fan of Kurgo on Facebook and receive all the latest updates, giveaways and contests.

Parts List & Key:

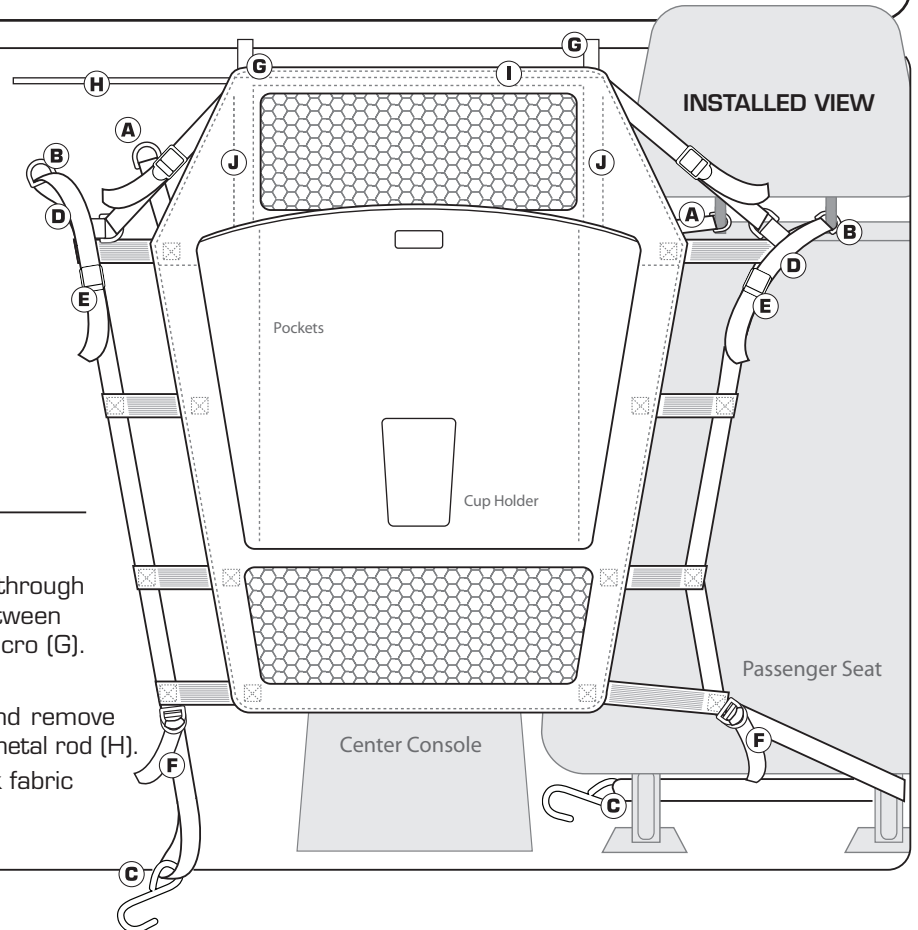
- A** inner D-ring
- B** outer D-ring
- C** under seat hook
- D** top headrest strap
- E** top tension buckle
- F** under seat strap
- G** steel support velcro closure
- H** horizontal steel support rod
- I** steel support rod pocket
- J** vertical steel support bar pocket

Optional extra support for barrier extension:

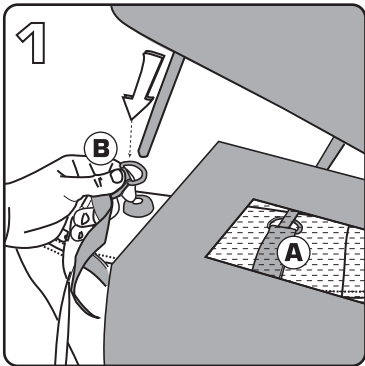
Flip up orange Velcro (G) and slide metal rod (H) through slot (I) that runs across the top of the barrier between the vertical bar pockets (J). Close and secure Velcro (G).

To lower barrier extension:

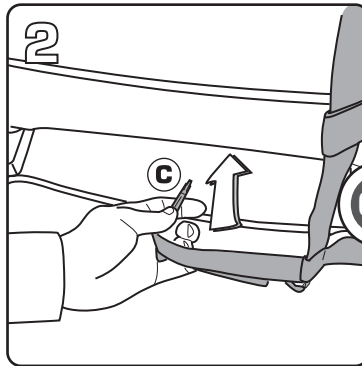
- 1) Open velcro (G) on the left and right side, and remove the metal bar found in each slot (J), also remove metal rod (H).
- 2) Roll mesh top from bar slot (I) down and tuck fabric into large black pocket



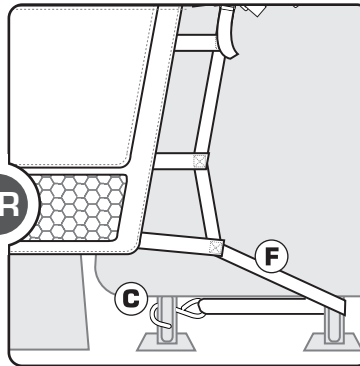
Attaching the barrier: Detachable Headrests



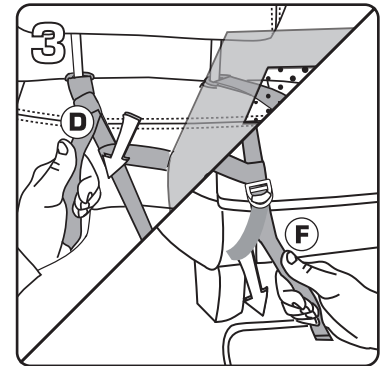
1. Orient the barrier so the Kurgo logo is facing the back of the car. Remove the driver's seat headrest. Slide the inner headrest column through the large D-ring attached to strap (A). Slide outer D-ring (B) through outer headrest post. Repeat on passenger side.



2. OPTION A - Clip hook (C) to the underside of the front seat base plate or springs.



OPTION B - Run strap (F) around the outside footing of each seat and secure hook (C).



3. Pull top straps (D) tight on both sides; pull both bottom straps (F) tight.



For an online video demonstration of how to install the Backseat Barrier visit us at: www.kurgo.com/pages/instructions.html

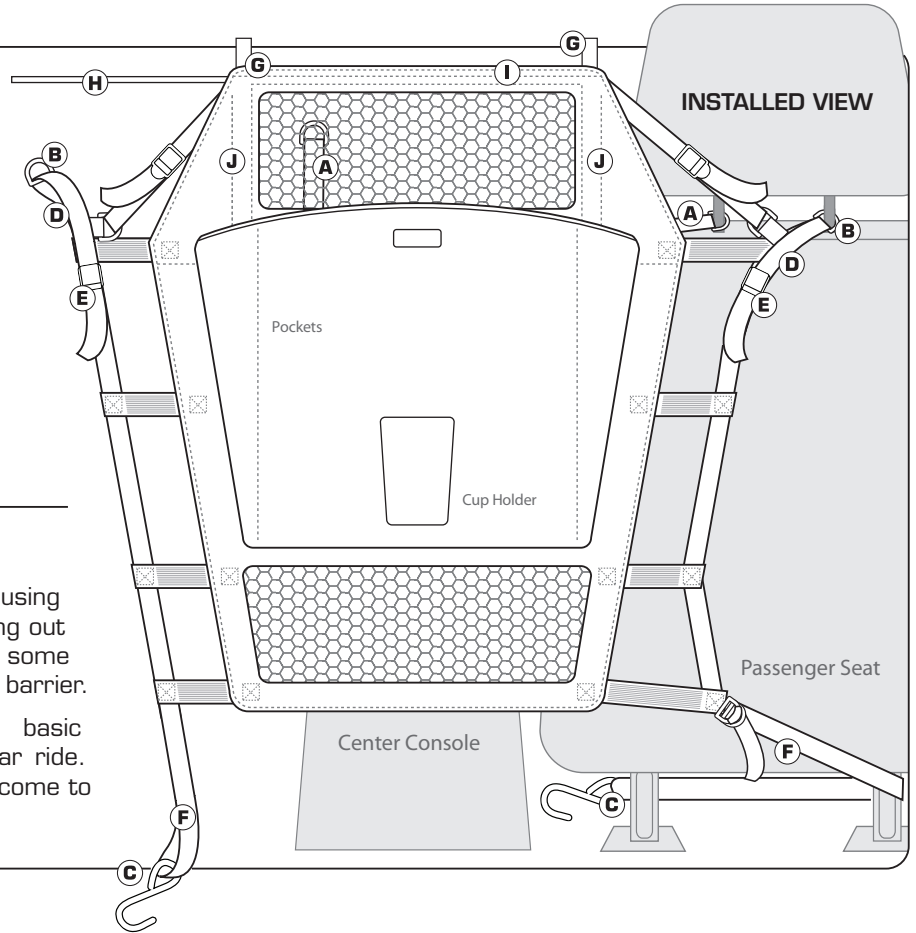


Parts List & Key:

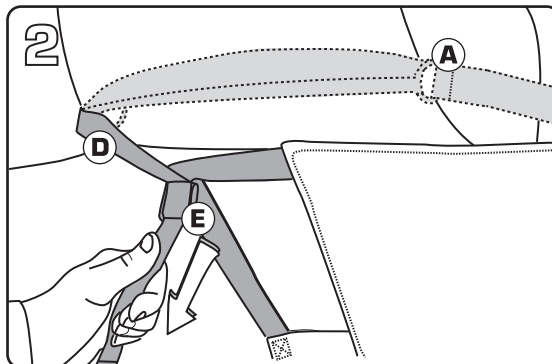
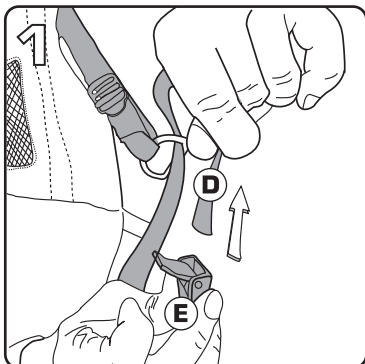
- A** inner D-ring
- B** outer D-ring
- C** under seat hook
- D** top headrest strap
- E** top tension buckle
- F** under seat strap
- G** steel support velcro closure
- H** horizontal steel support rod
- I** steel support rod pocket
- J** vertical steel support bar pocket

TRAINING:

- 1) Get your dog familiar with riding in the car, focusing on the back seats and not the front. Before setting out on a long road trip with this new product, take some shorter trips to help Fido become adjusted to the barrier.
- 2) Most importantly, the understanding of basic obedience really makes the difference on any car ride. Make sure your pup has a grasp of sit, stay and come to help create easy going excursions.



Fixed Headrests



3

CONTINUE FROM STEP TWO
OF THE DETACHABLE
HEADREST INSTRUCTIONS

1. Pull top headrest strap (D) out of its buckle (E).

2. Wrap strap (D) around the headrest. Insert strap through the large D-ring (A) attached to the inner elastic strap. Bring the strap back around the headrest and run through (E). Repeat on opposite headrest.

Washing instructions



- Brush off loose dirt with a dry brush.
- As needed, wipe off with a damp sponge and mild soap.
- Rinse only, if possible. Use cold water and a sponge or rinse in a tub without soap.
- Machine wash in front-loading unit (DO NOT use machine with agitator; agitator could cause damage not covered under warranty) Remove metal bars before washing. Use cold water and mild soap (Ivory Flakes, Woolite, Sport Wash, Etc.) Not detergents.
- Rinse thoroughly to eliminate soap residue.
- Lay flat to dry.